



LEFROY BROOKS

1 8 2 8 T R O U T M A N S T R E E T
R I D G E W O O D N E W Y O R K N Y 1 1 3 8 5 U S A
T : + 1 (7 1 8) 3 0 2 5 2 9 2 F : + 1 (7 1 8) 3 0 2 4 1 7 7

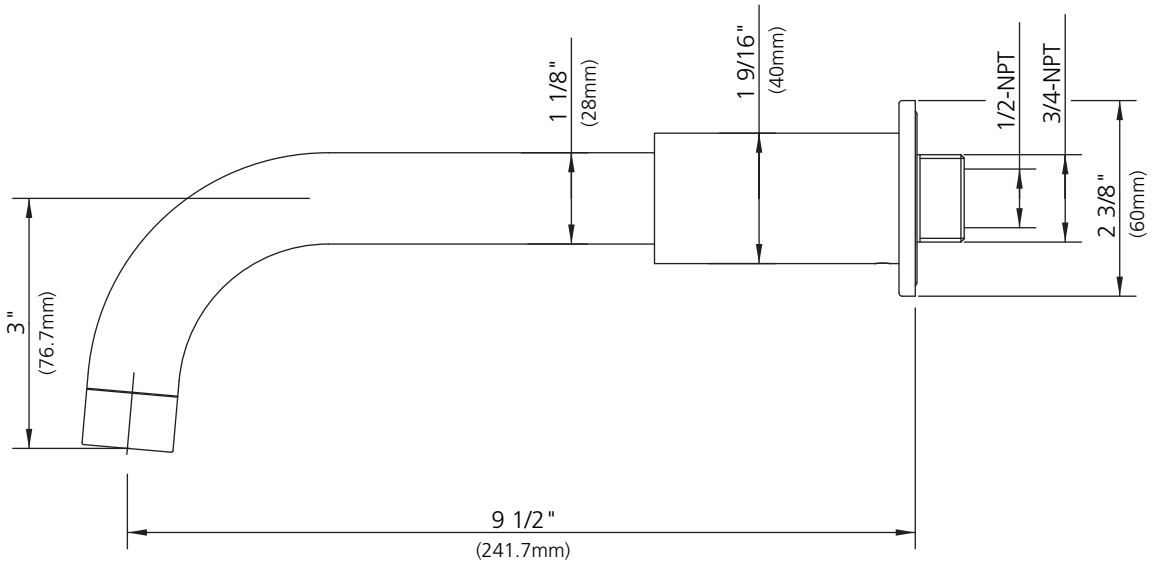
K1-1031

WALL BATH SPOUT

DIMENSIONAL DATA SHEET

DATE: 7 June 2012

No: A666013



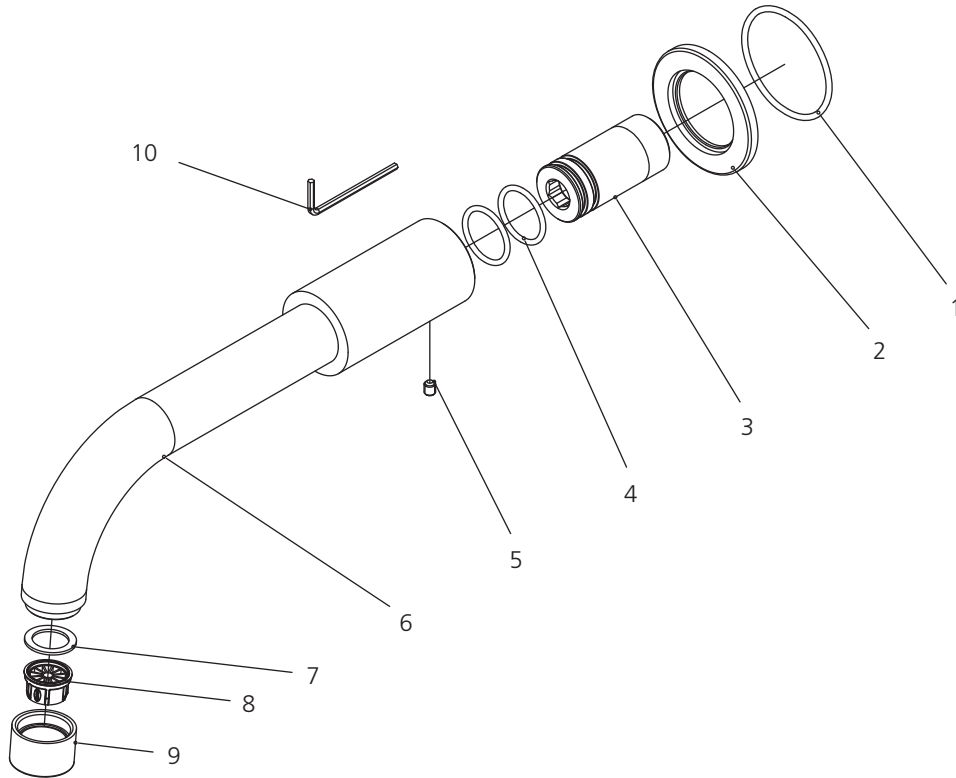
COPYRIGHT © LBIF LTD 2012. ALL RIGHTS RESERVED.

DIMENSIONS IN INCHES & MILLIMETRES

WHILST EVERY EFFORT IS MADE TO ENSURE THE ACCURACY OF THESE DATA SHEETS THEY ARE SUBJECT TO CHANGE WITHOUT NOTICE AS PART OF THE COMPANY'S PRODUCT DEVELOPMENT PROCESS

K1-1031

WALL BATH SPOUT



1	O-ring (004567N)	6	Spout (523832)
2	Escutcheon (071263)	7	Oil-seal (010899)
3	Adaptor (067771)	8	Aerator insert (114237R)
4	O-ring (048046N)	9	Aerator housing (305781)
5	Screw (075038)	10	Allen key (031000)

Standards

Meets A112.18.1